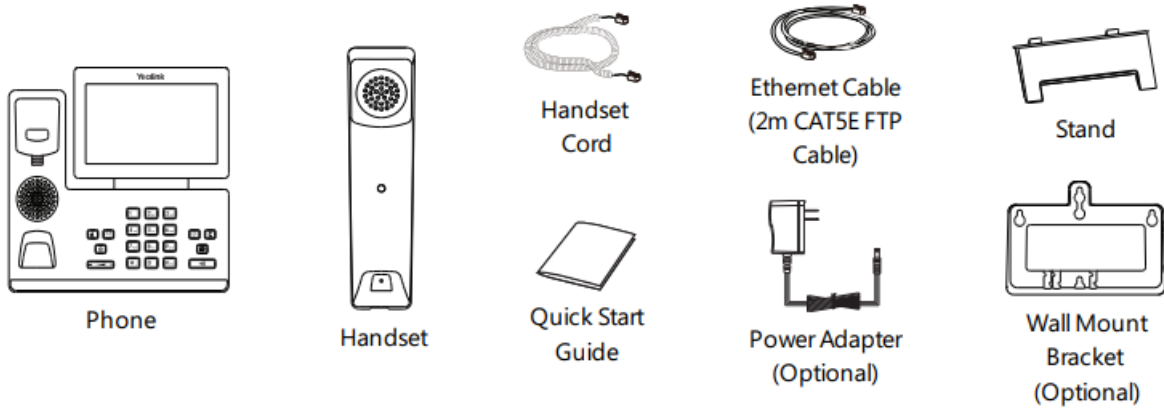


SIP-T57W

Package Contents

The following items are included in your package. If you find anything missing, contact your system administrator.

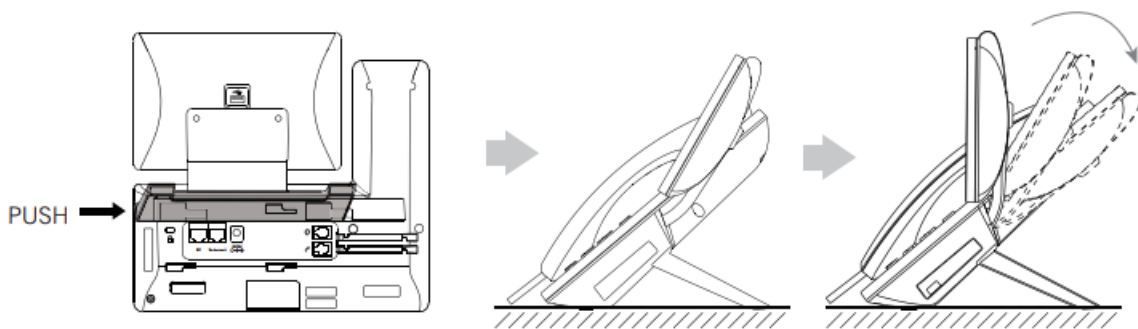


TIP

We recommend that you use the accessories provided or approved by Yealink. The unapproved third-party accessories may result in reduced performance.

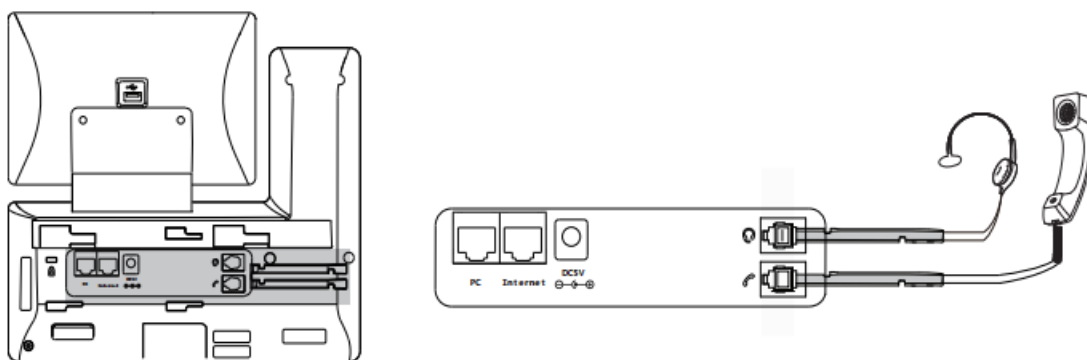
Assemble Phone

1. Attach the stand and adjust the angle of the screen.

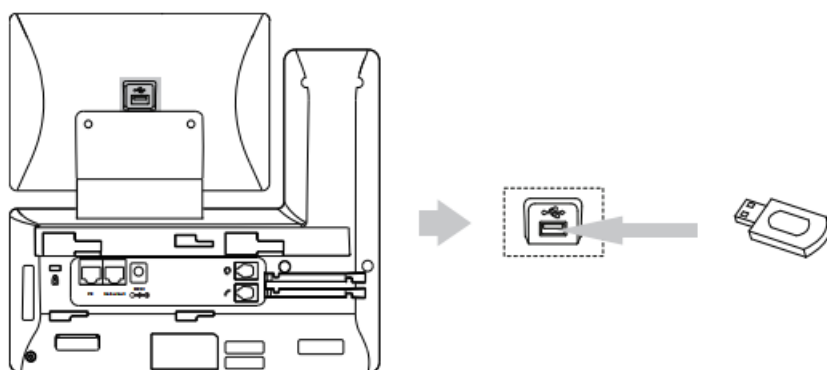


You can also mount the phone to a wall.

2. Connect the handset and optional headset.



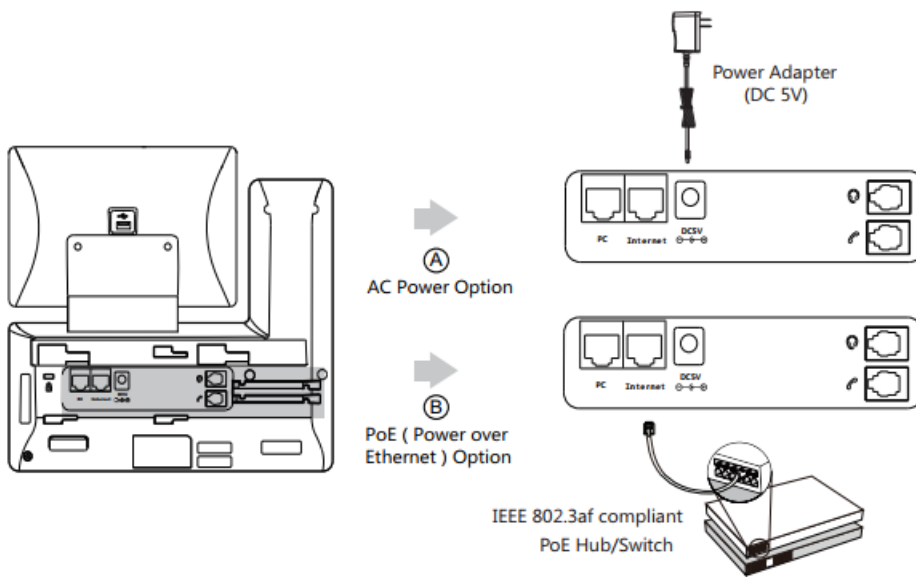
3. Connect the USB flash drive.



NOTE

The USB port can also be used to connect other USB devices, such as EXP50, USB headset and so on.

4. Connect the AC power or PoE.

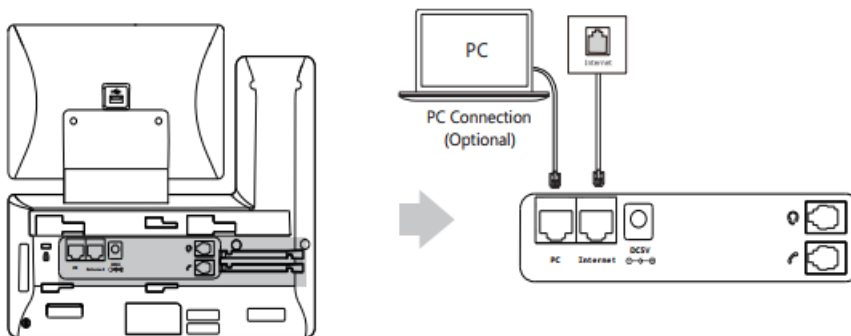


NOTE

The phone should be used with Yealink's original power adapter(5V/2A) only. The use of the third-party power adapter may cause damage to the phone.

5. Connect to the network.

- Connect to the wired network:



NOTE

If you are connecting a PC to your phone, we recommend using the Ethernet cable provided by Yealink.

- Connect to the wireless network
 - a. Go to **Menu > Basic > Wi-Fi**.
 - b. Enable **Wi-Fi**.
 - c. Select an available wireless network from the list of networks.
 - d. If the network is secure, enter its password in the **Password** field.
 - e. Tap **OK** to connect to the wireless network.